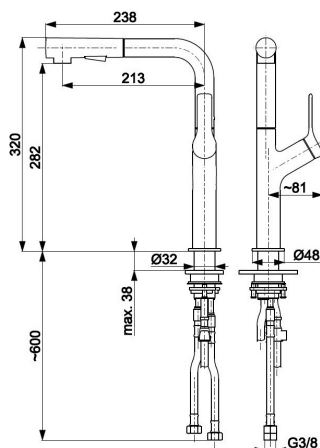


## DUERO

DESIGN INOX STANDING KITCHEN MIXER WITH A ROTATING, PULL-OUT SPOUT



### PRODUCT DESCRIPTION:

<b>INDEX:</b>	6623-220-22
<b>EAN:</b>	5907571660211
<b>Colour:</b>	inox
<b>PKWiU:</b>	28.14.12-33.02.01
<b>Type:</b>	standing
<b>Material:</b>	stainless steel
<b>Control element:</b>	Ø35 ceramic cartridge
<b>Aerator:</b>	yes
<b>Water flow [l/min]:</b>	7
<b>Working pressure [atm]:</b>	3
<b>Max water temperature [°C]:</b>	≤90/65
<b>Acoustic group:</b>	II
<b>Spout:</b>	pull-out
<b>Spout length [mm]:</b>	213
<b>Number of streams in the pull-out spout:</b>	2
<b>Mounting set::</b>	circumferential bushing + stabilizer

### THE PACKAGING CONTAINS:

M10x1/G3/8" flexible hoses (L=600 mm, 2 pcs), mounting set

### WARRANTY:

10 years for failure-free operation of ceramic cartridges

### CERTIFICATES AND DECLARATIONS:

The product is made according to the standard PN-EN 817, Construction sign, Hygienic Attestation, National declaration of performance